

PRODUCT INFORMATION PACKET

Model No: 5KC49GN0009X

Catalog No: C359

.5 HP General Purpose Motor, 1 phase, 1800 RPM, 115/230 V, 56C Frame, ODP
Single Phase ODP Motors





Nameplate Specifications

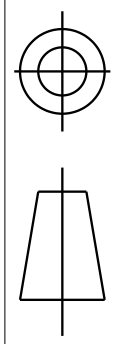
Output HP	0.50 Hp	Output KW	0.37 kW
Frequency	60 Hz	Voltage	115/230 V
Current	8.8 A	Speed	1725 rpm
Service Factor	1.25	Phase	1
Efficiency	0 %	Duty	Continuous
Insulation Class	B	Design Code	-
KVA Code	N	Frame	56C
Enclosure	Drip Proof	Thermal Protection	AUTO
Ambient Temperature	40 °C	Drive End Bearing Size	6203
Opp Drive End Bearing Size	6203	UL	Recognized
CSA	Y	CE	N

Technical Specifications

Electrical Type	Capacitor start(CSIR)	Starting Method	SM
Poles	4	Rotation	Clockwise/Counterclockwise
Mounting	N/R	Motor Orientation	Any
Drive End Bearing	Locked	Opp Drive End Bearing	Ball
Frame Length	6.15 in	Shaft Extension	.625 X 1.88 - .188 X .188 KEY in
Outline Drawing	52A107670P4	Connection Drawing	52A105383AA

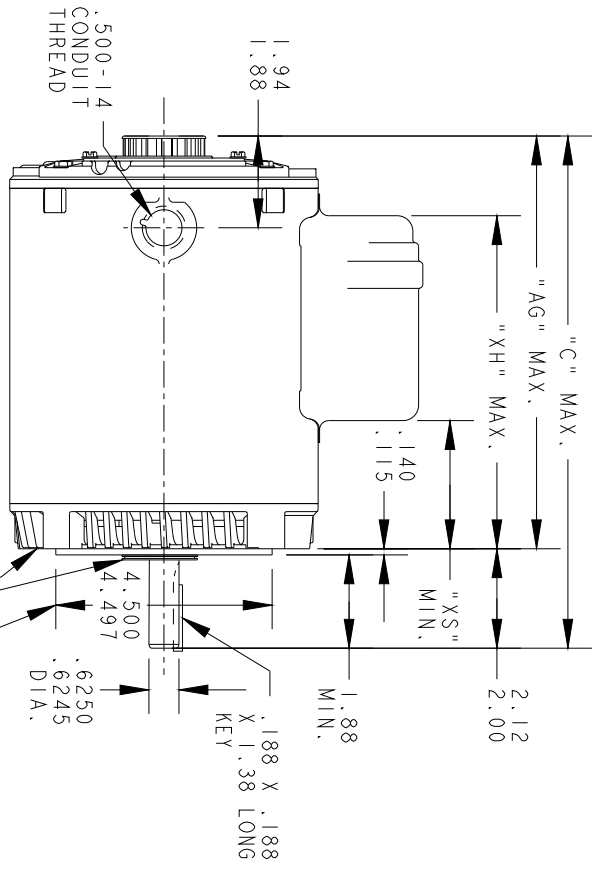
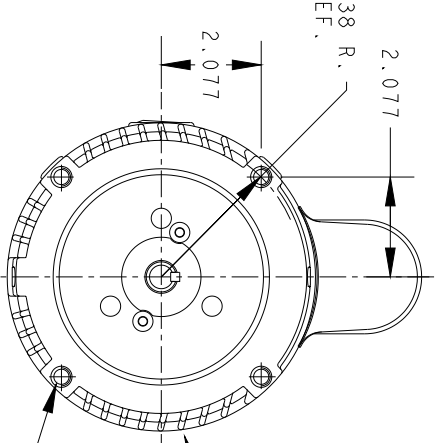
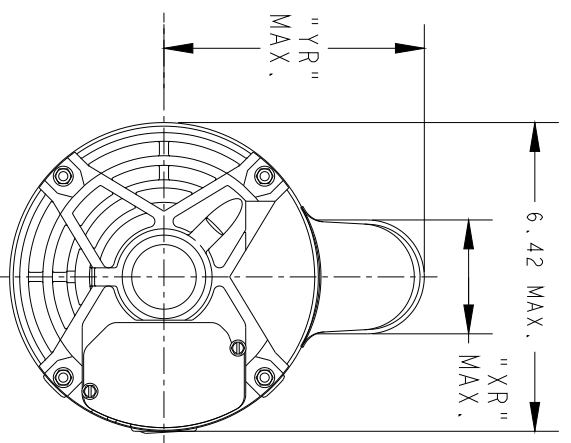
This is an uncontrolled document once printed or downloaded and is subject to change without notice. Date Created:02/11/2020

THIRD ANGLE PROJECTION



REVISIONS

REV.	DESCRIPTION	DATE	APPROVED
10	CHG TO RBC FORMAT PER IS05-1777	03/01/06	SUDHA
11	ADDED "WATER SLINGER" PER "IS11-5119"	12/05/2011	KOTI



FACE RUNOUT (WITH INDICATOR MOUNTED STATIONARY, RELATIVE TO SHAFT) MUST NOT EXCEED .004 T.I.R.
 WATER SLINGER (WHEN SPECIFIED)
 ECCENTRICITY OF THIS SURFACE (WITH INDICATOR MOUNTED STATIONARY, RELATIVE TO SHAFT) MUST NOT EXCEED .004 T.I.R.

VIEW OF P.E. END SHIELD

.375-16UNC-2B (4 HOLES) .70 MIN. FULL THREAD. THESE HOLES FIT A GAGE HAVING A RABBIT 4.5005 DIA. AND 4 PINS .2917 DIA. LOCATED ON THE BASIC HOLE POSITIONS.

7	6	5	4	3	2	1	P
KC	KC	KC	KC	KC	KC	KC	TYPE
49	46	48	49	49	42	46	GE SIZE
56C	56C	56C	56C	56C	56C	56C	NEMA FR.
11.91	10.78	12.61	10.38	11.38	9.95	10.78	"C"
9.79	8.66	10.49	8.26	9.26	7.83	8.66	"AG"
7.56	6.90	7.56	6.66	7.66	6.23	7.06	"XH"
4.76	5.45	5.45	5.45	5.45	5.45	5.45	"YR"
1.60	2.40	2.40	2.40	2.40	2.40	2.40	"XR"
1.89	1.30	1.93	2.12	1.91	1.69	2.52	"XS"
7.68	6.55	8.43	6.15	7.15	5.72	6.55	MIN. SHELL



REGAL-BELOTT CORPORATION

OUTLINE

GENERAL PURPOSE MOTOR DRIP PROOF - BALL BEARING R2 END MOUNTED FMF - 40 FRAME REDESIGN

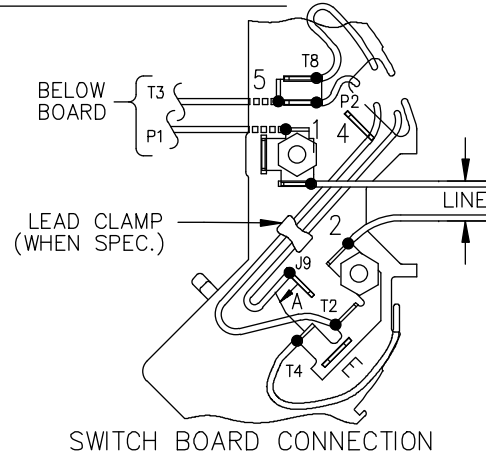
SIGNATURES		DATE
MODEL	M.D. PAPE	04/23/91
DETAIL		
CHECKED		
ENGRG		
MFG		
QUALITY		
ISSUED	M.D. PAPE	04/11/96
APPLIED PRACTICES		
DIMENSIONS ARE IN INCHES		
MATERIAL	SOLID MODEL: 52A107670	

TITLE	SCALE	REF. No.	SHEET
SIZE: DRAWING A	0.250		1 of 1

52A107670

REV 11

EITHER ROTATION, DUAL VOLTAGE, TYPE KC OR KH, WITH THERMAL PROTECTION



NOTE #1 - START CAP & J9 WHEN SPECIFIED (*). IF NO CAPACITOR (KH), CONNECT T5 DIRECTLY TO SWITCH (A). WHEN MORE THAN ONE CAPACITOR IS USED, CONNECT IN PARALLEL.

NOTE #2 - TO REVERSE ROTATION, INTER CHANGE RD(T8) AND BLK(J9-KC OR T5-KH) LEADS.

SWITCH REF. - 115D958AB	CONNECTION LABEL	CCW ROTATION: NP52X332051AA
		CW ROTATION: NP52X332051AC

NO.	REVISION	BY & DATE	CHK	TOLERANCES UNLESS SPECIFIED		FINISH	DRAWN	M.D.P	DATE			
				DEC.	INCHES							
				.X	±0.1				06/29/87			
				.XX	±0.02							
5	ADDED CONNECTION LABEL PER ECO-0030779	UD 02/06/13	PKG	.XXX	±0.005							
4	UPDATED PER ISO7-0150	MD 01/23/07		.XXXX	±0.0005	MAT'L.						
				ANG	±1.0							
THIS DRAWING IN DESIGN AND DETAIL IS OUR PROPERTY AND MUST NOT BE USED EXCEPT IN CONNECTION WITH OUR WORK. ALL RIGHTS OF DESIGN AND INVENTION ARE RESERVED. THIS IS AN ELECTRONICALLY GENERATED DOCUMENT - DO NOT SCALE THIS PRINT							RFP	CAD FILE	52A105383AA	SIZE	DRAWING NO.	REV.
							DIST			A	52A105383AA	5



TITLE CONNECTION DIAGRAM
30 FRAME SWITCH REDESIGN